

In this photo you can see Model SA-6800

Service Manual

STEREO AMPLIFIER

SA-6800

SA-608

 **PIONEER®**

1

2

3

3. SCHEMATIC DIAGRAM, P.C. BOARD PATTERNS AND

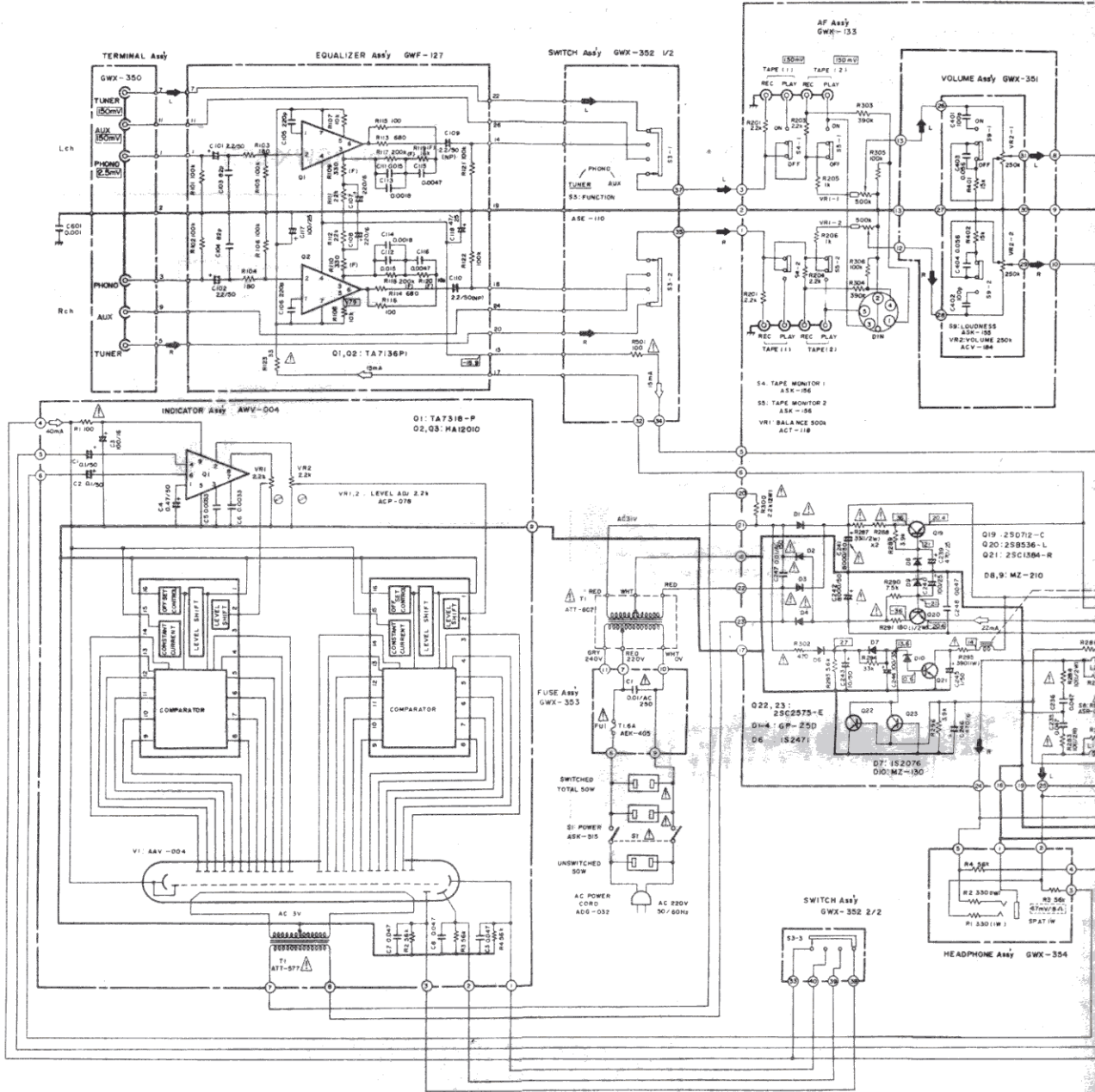
3.1 SCHEMATIC DIAGRAM

A

B

C

D



1

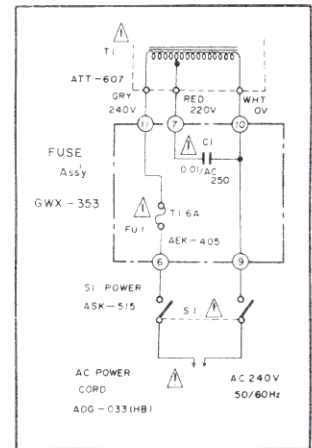
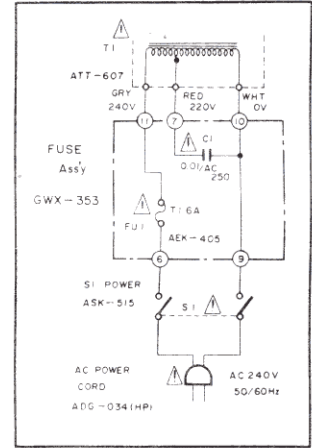
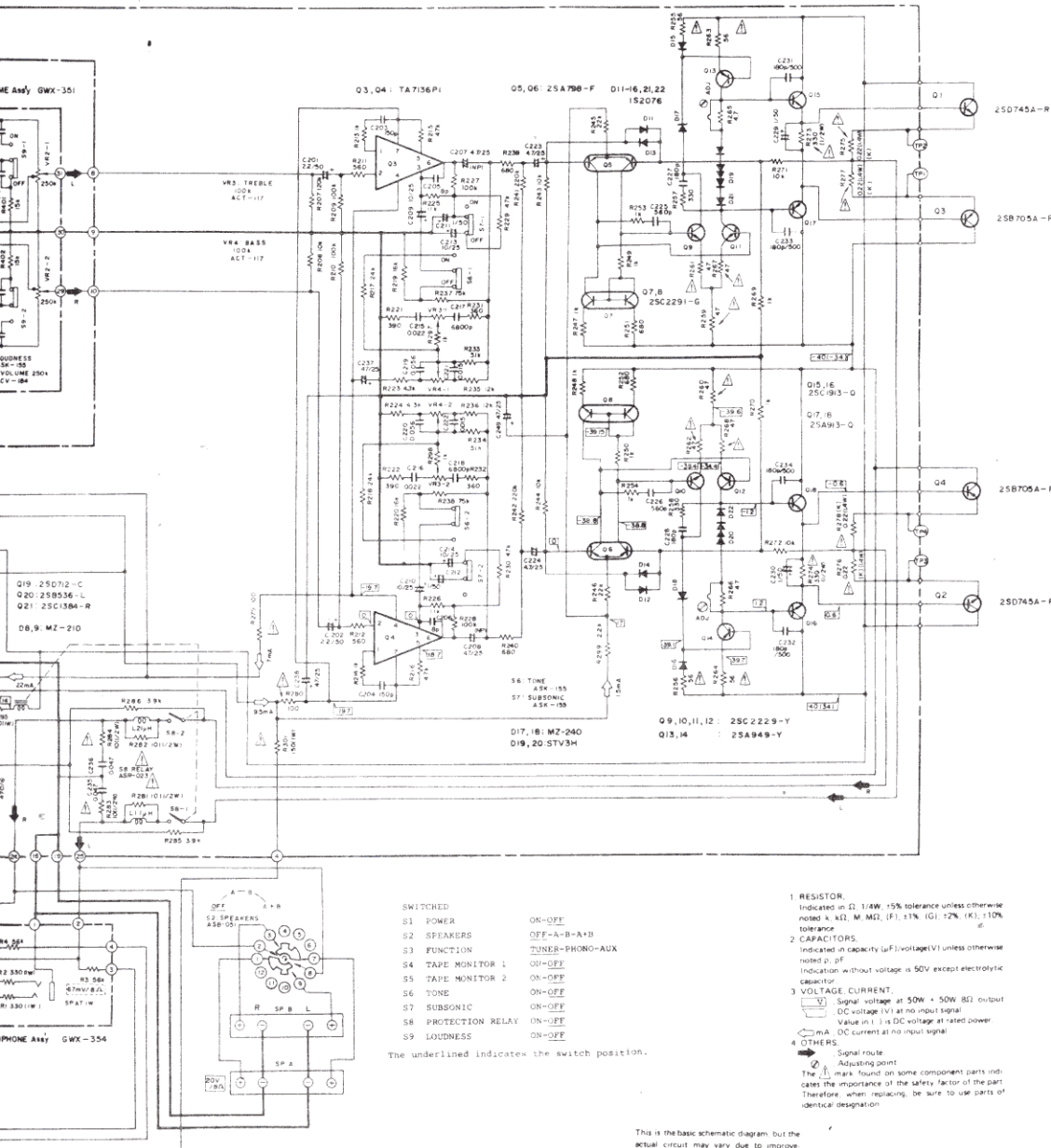
2

3

S AND PARTS LIST

NOTE:

The indicated semiconductors are representative ones only. Other alternative semiconductors may be used and are listed in the parts list.



A
B
C
D